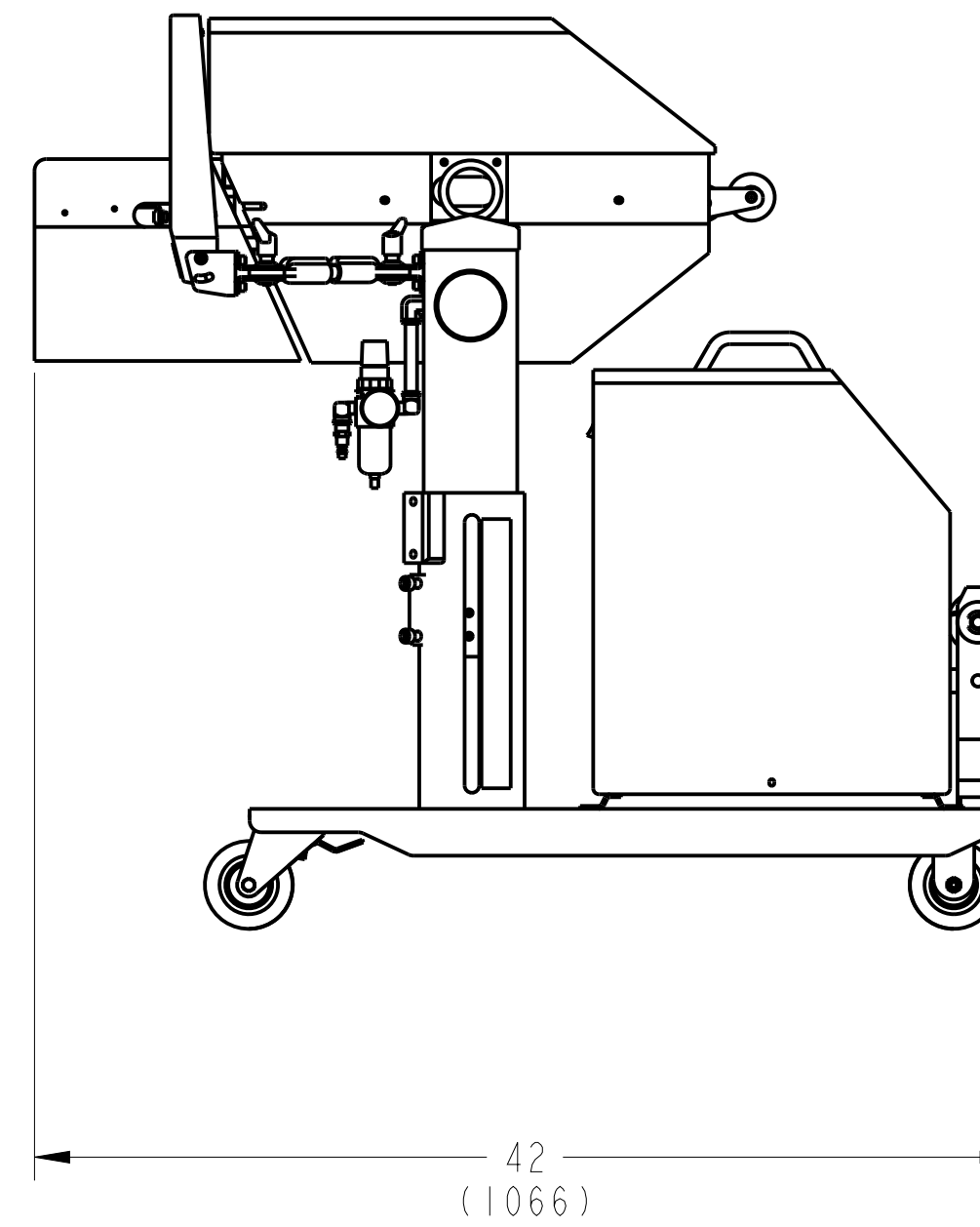
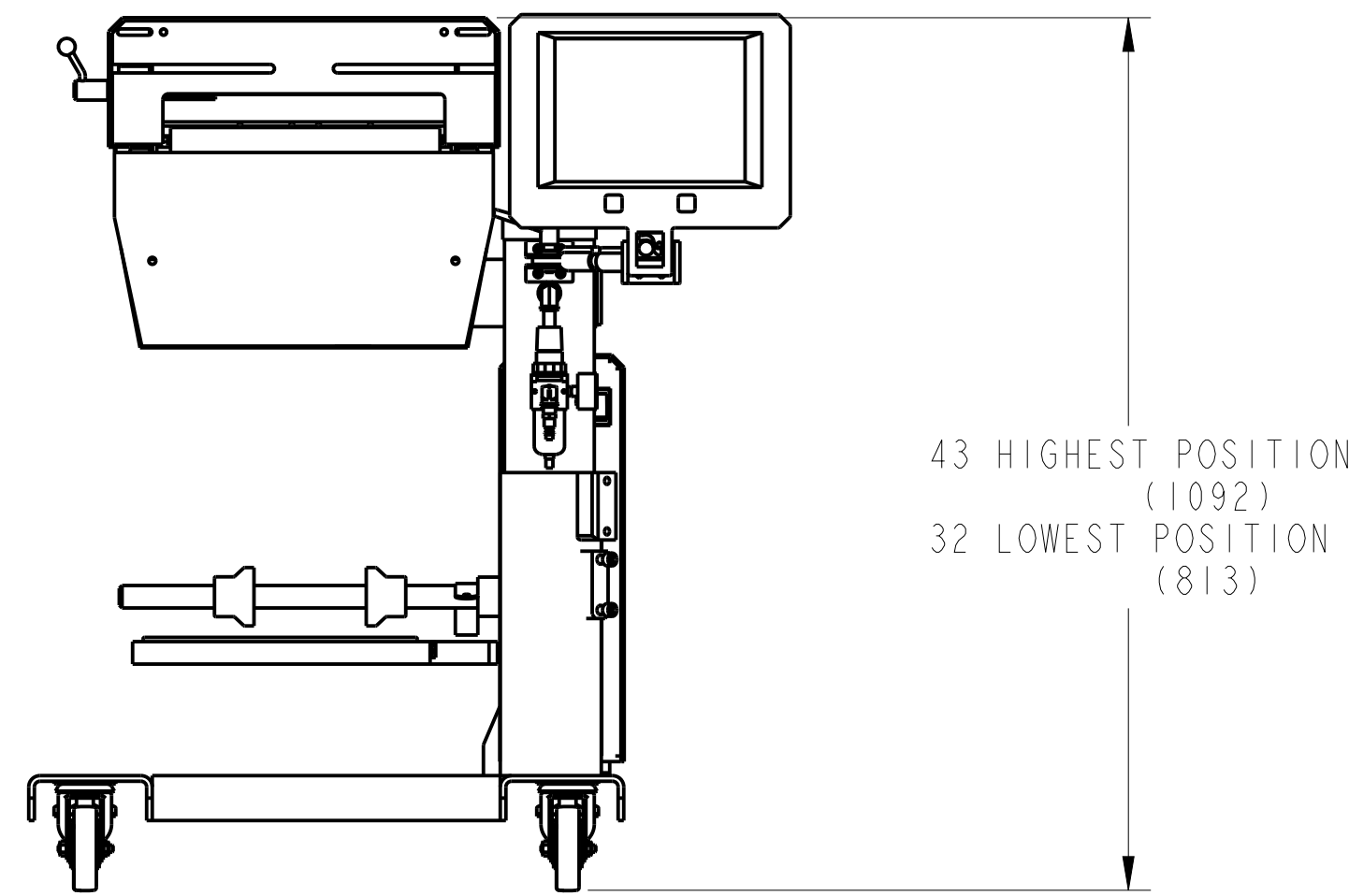
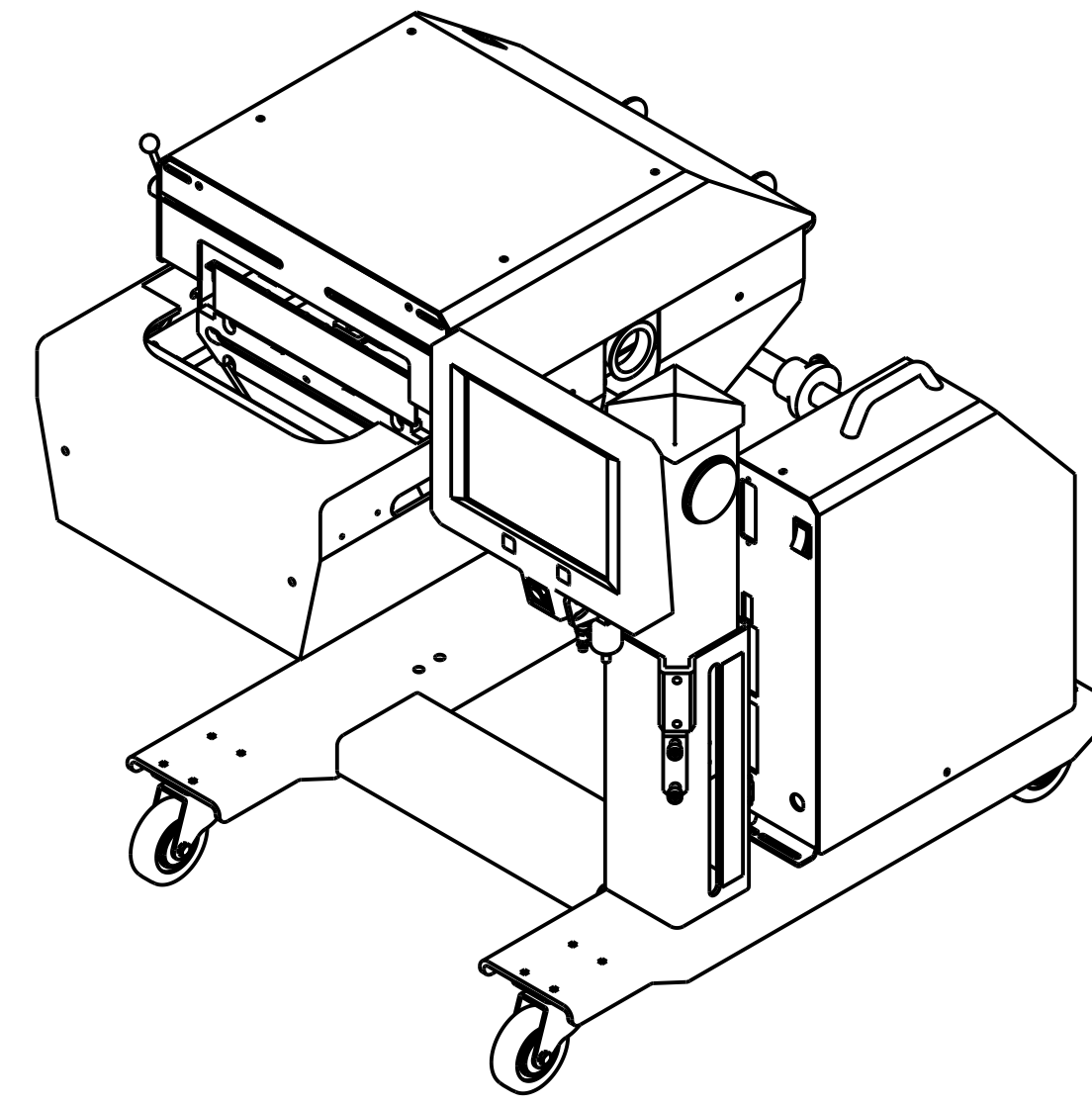
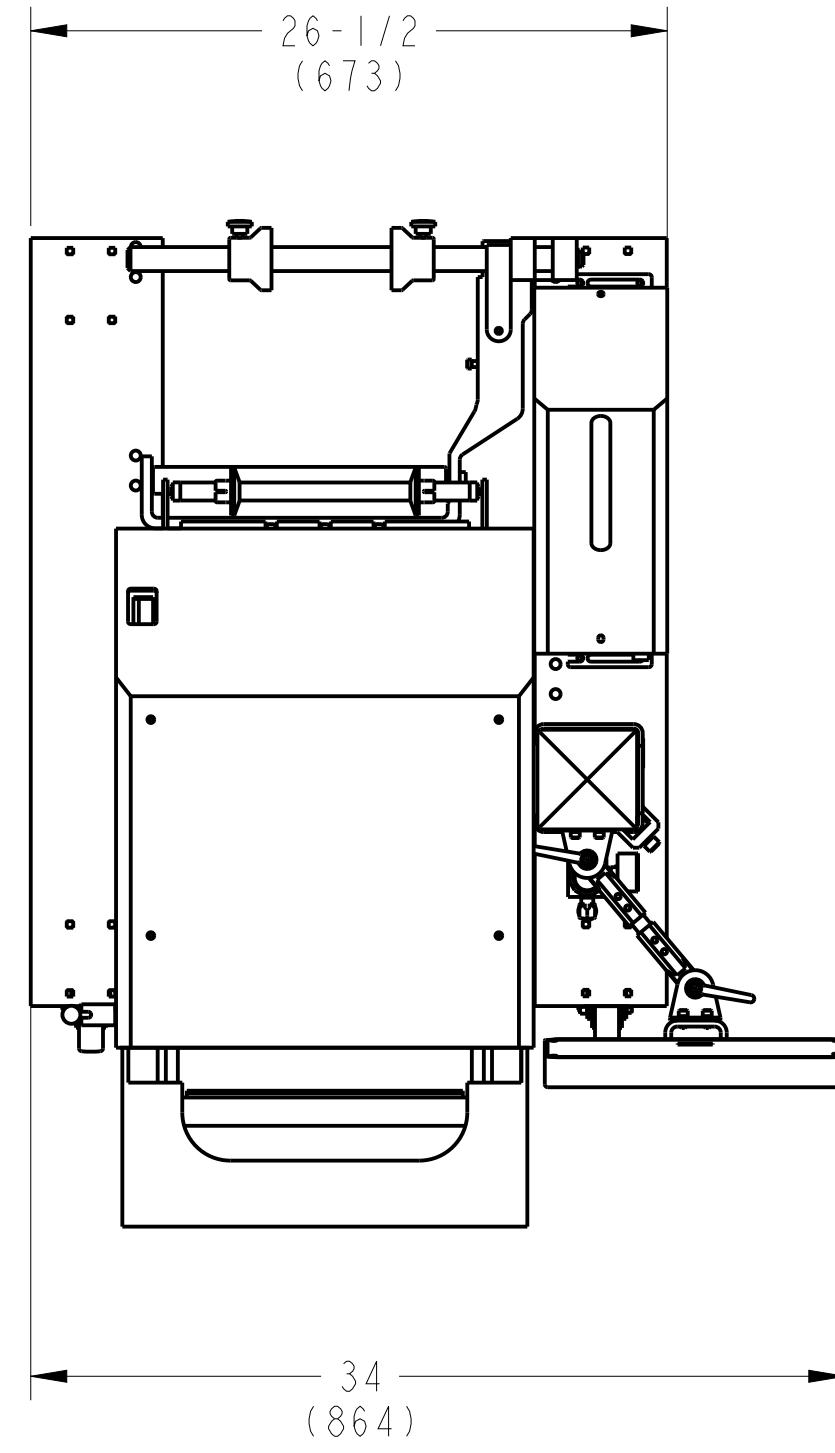


TECHNICAL SPECIFICATIONS - BAGGER:

- WEIGHT: 270 lbs [123kg]
- ELECTRICAL: 110/230 VAC; 50/60 Hz; 5.0/2.7 AMPS
- AIR: 5 CFM@80 PSI [142 litre/min] CLEAN DRY AIR
- PRODUCT PASS THROUGH: 3.4 IN [15,2 cm]
- BAG THICKNESS: 1.0 to 5.0 mil
- BAG SIZES W 2 to 11 in L 3 to 22in.



Fabricated & Documented
to be RoHS Compliant

FINISH	NONE
MATERIAL	-----
<small>MACHINE SURFACES TO BE NO GREATER THAN 125 13,21 ✓ UNLESS OTHERWISE NOTED PART MUST BE FREE OF BURRS AND SHARP EDGES</small>	
TOLERANCE	INCHES mm
1 PLACE DIMS	±.01 ±0,5
2 PLACE DIMS	±.02 ±0,51
3 PLACE DIMS	±.005 ±0,10
ANGLES	± 1/2°
<small>NOTICE: THIS DOCUMENT CONTAINS PROPRIETARY INFORMATION AND IT SHALL NOT BE USED OR REPRODUCED OR ITS CONTENT DISCLOSED, IN WHOLE OR PART, WITHOUT THE PRIOR WRITTEN CONSENT OF AUTOMATED PACKAGING SYSTEMS INC.</small>	
INCH [MM]	THIRD ANGLE PROJECTION

REV	BY	DATE	ECN	DESCRIPTION
A	GHM	7-15-16	463	NEW DRAWING
 Automated PACKAGING SYSTEMS 10175 PHILIPP PARKWAY - STREETSBORO, OH 44241				
DRAWING SIZE	SCALE	DRAWN BY	BOM REFERENCE NUMBER	
D	1/8	NAME: GHM DATE: 7-15-16	-----	
TITLE			DRAWING NO.	SHEET 1 OF 1
ASS'Y, AB145 AUTOBAGGER			FP225	REV A